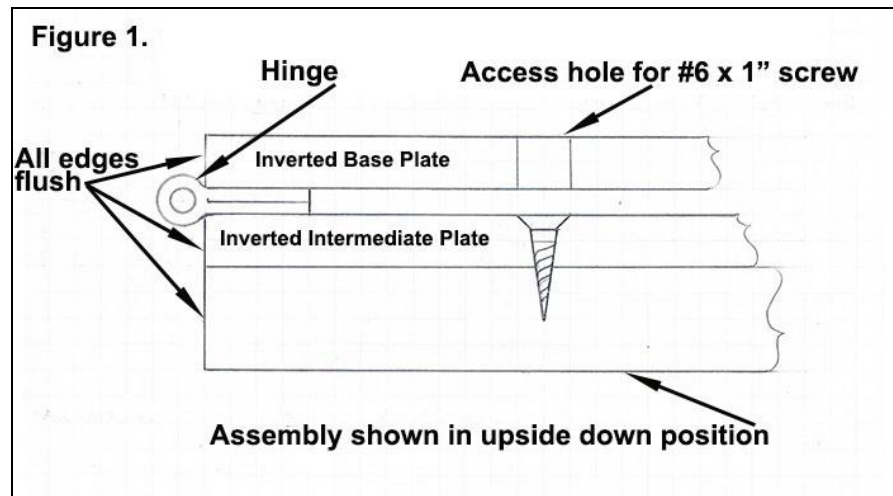


## ASSEMBLY INSTRUCTIONS FOR NEW DOWELMAX ROUTER LIFT

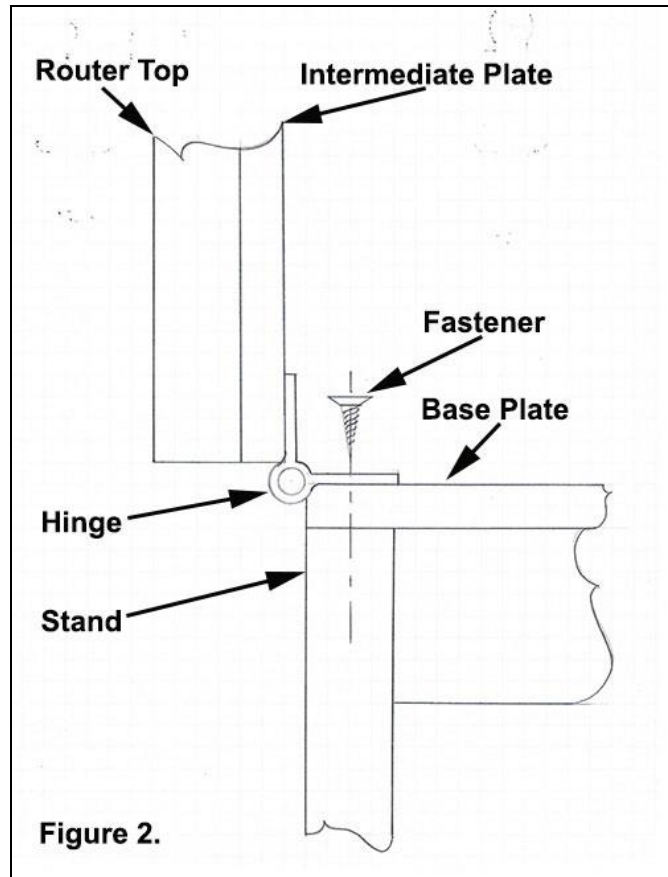
- **PLEASE FOLLOW INSTRUCTIONS CLOSELY AND CAREFULLY**
- **WEAR EYE PROTECTION**
- **DISCONNECT POWER TO ROUTER UNTIL SET UP IS COMPLETE**
- **USE ROUTER TABLE LIFT WITH STABLE STAND ONLY**

1. Place inverted router table on workbench or table with rear of table towards you.
2. Remove Dowelmax Router Lift from package, turn upside down, and place flat on bottom face of router table, hinge towards you.
3. Centre Dowelmax Router Lift and ensure rear faces of lift and router table are flush. Hinge will protrude approximately 1/4 inch. Lightly clamp to prevent movement.
4. Using access holes on base plate (8) secure interface plate to router top using #6 screws provided. Refer to Figure 1.



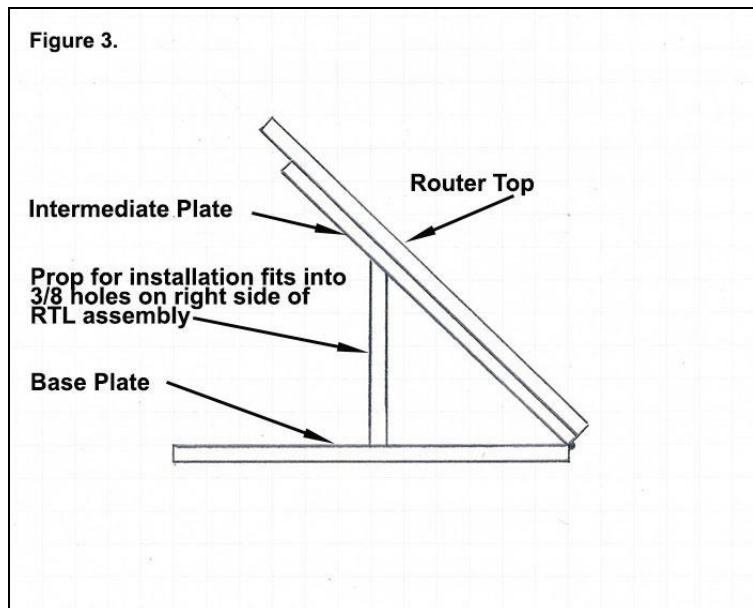
5. **NOTE:** If router table is phenolic, pilot holes are essential. Using access holes on base plate, drill pilot holes on underside of router table top. For #6 screws use 7/64" diameter drill. Use drill stop or tape as depth gauge to prevent full penetration of router table top, (do not drill pilot holes if router top is MDF).
6. Turn assembly right side up and place on stand. Raise router top clear and support in preparation for securing base plate to stand (do not rotate or open more than 180 degrees to prevent undue stress or damage to hinge and fastenings.)
- 7.

8. Centre assembly on stand and ensure rear end (hinged end) is flush with cross rail of stand. Hinge will protrude approx. 1/4 inch. Lightly clamp to prevent movement. See figure 2.

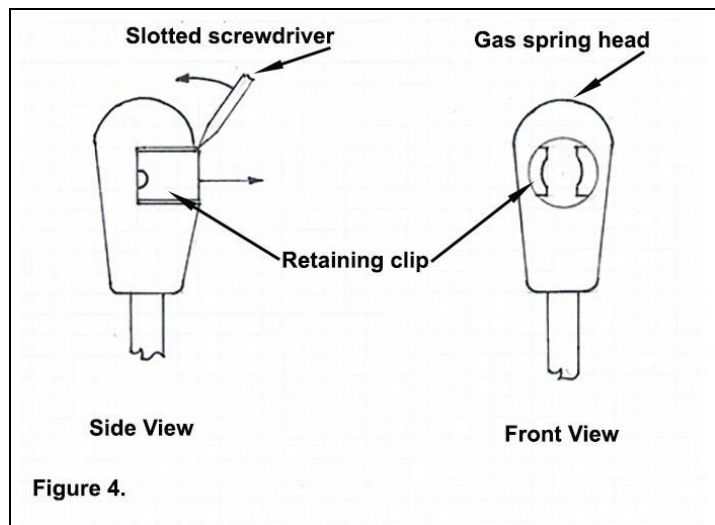


9. Secure base plate to stand. If wood stand, use 2 countersunk holes on hinge, together with 2 - #8 x 1 1/4" screws to secure base plate to stand and once position of base plate to stand is determined, drill and countersink 3 additional holes to accept 3 - #8 x 1 1/4" screws, two at base plate sides and one at forward section. (Minor adjustment may be required depending on thickness of stand cross rail).
10. If stand is steel, use a 3/16" drill, and using the hinge hole as guide, drill through steel flange of stand, dress bottom edge of drilled hole, insert # 3/16" countersunk bolt in holes and secure using nuts and washers on bottom. Once position of stand to base plate has been determined, drill 3 additional 3/16" holes to accept additional fastenings on sides and front section.

11. Attach angled brace into holes in base plate and interface plate (45 degree angle butts against interface plate. See Figure 3.

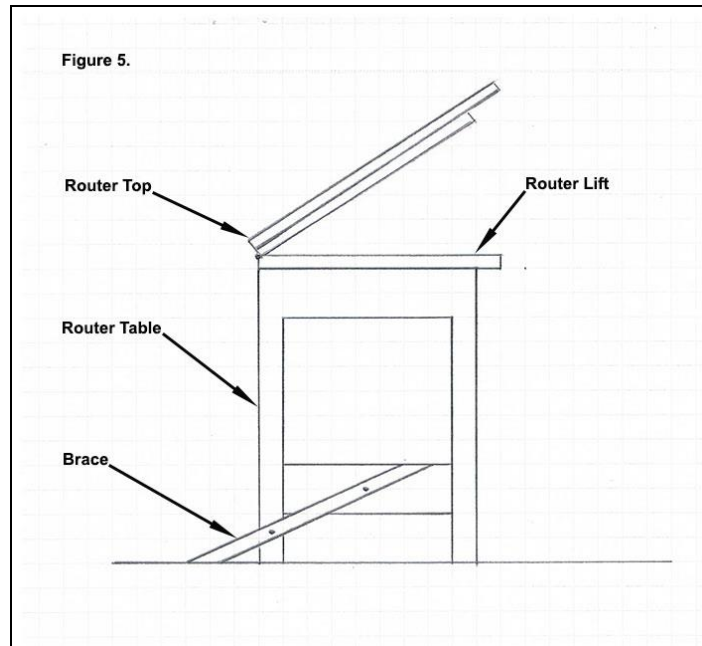


12. Install air spring socket heads onto balls on stainless steel brackets. Note: Cylinders uppermost.
13. Never remove stainless steel brackets. To disconnect air spring, insert dull end of dinner knife into retaining clip, wedge slightly and drive off air spring head.
14. To reattach air spring, ensure that retaining clip is properly centred, adjust as required. See Figure 4.



15. Attach router.

16. It is important to use the Router Lift in conjunction with a stable stand. If, after installing the Lift, the stand appears unstable, a slight modification is required. If stand is wooden, install a 3/4 inch x 1 1/2 inch brace as shown in sketch and secure to rail and leg with wood screws (2). If stand is steel, secure brace as shown, but drill 1/8 inch diameter hole in steel leg and rail. Secure using two #8 x 1 1/4 inch self tapping screws. See Figure 5.



**WARNING: TO AVOID INJURY, IT IS ESSENTIAL TO DISCONNECT POWER SOURCE WHEN CHANGING ROUTER BITS.**

**DOWELMAX ROUTER LIFT MUST BE USED WITH STABLE STAND:**

SEE [WWW.DOWELMAX.COM](http://WWW.DOWELMAX.COM) – FREE PROJECT INSTRUCTIONS FOR ROUTER LIFT STAND.